

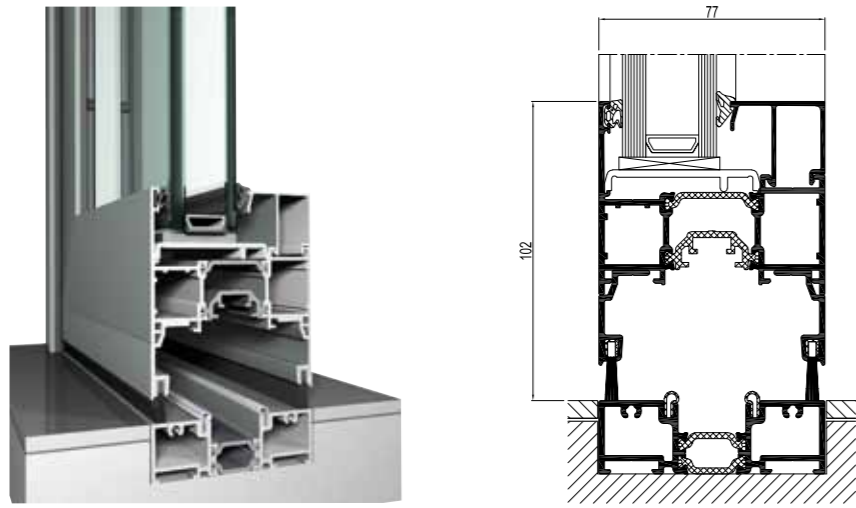


CF77

Bi-fold doors, or folding sliding doors if you prefer, are a modern and innovative design statement that can transform an ordinary room and make it a feature of the house. These doors can flood the room with natural daylight, opening up the house to the garden and letting the outside in.

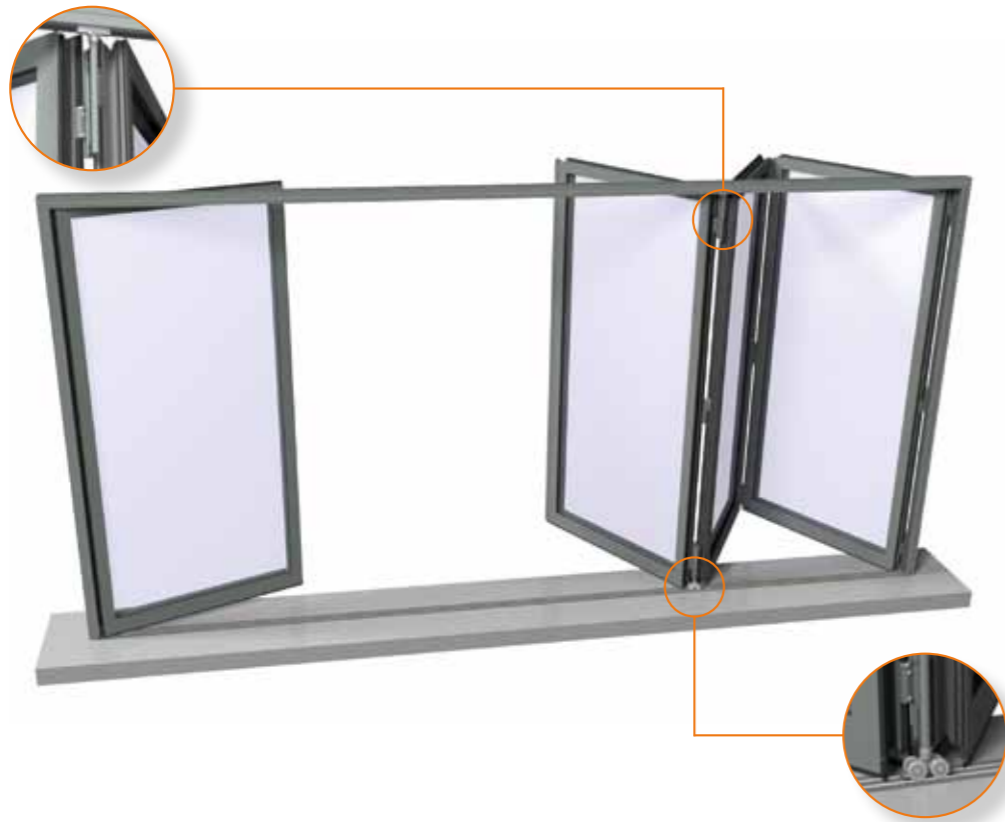
Bi-fold doors have been hugely popular in the UK for a number of years, and the Reynaers at Home CF77 leads the way in terms of performance. The reliable, easy and smooth operation is testament to the careful design and premium specification of every component part.





Versatile design options

Available in a number of configurations using between 2 and 8 door leaves, you can choose a design where all doors stack to the same side, or a design where some open one way and some the other. Designs with a single traffic door enable you to slip quickly and easily out into the garden, while leaving the other doors locked in place.



Innovative features and benefits

- Great thermal insulation (down to 2.25W/m²K)
- Glazing up to 63mm
- Security to British and European Standards
- Inward or outward opening
- Water resistance up to 600Pa
- 2 to 8 door leaves
- Industry-leading maximum sizes
- High-spec stainless steel rollers

	Max. vent size (mm)	Max. vent weight	U _w (W/m ² K)*	U _f (W/m ² K)	Visible width vent-vent sect.
Reynaers CF 77	1200x3000	120kg	down to 1.66	down to 2.25	144mm
Reynaers CF 77-SL	1200x3000	120kg	down to 1.64	down to 2.31	122mm
Reynaers CF 77-AP	1200x3000	120kg	down to 1.66	down to 2.25	144mm
Reynaers CF 77-SL/AP	1200x3000	120kg	down to 1.64	down to 2.31	122mm

* Ug: 1.1 W/m²K
4-panel: 4000 x 2700 mm

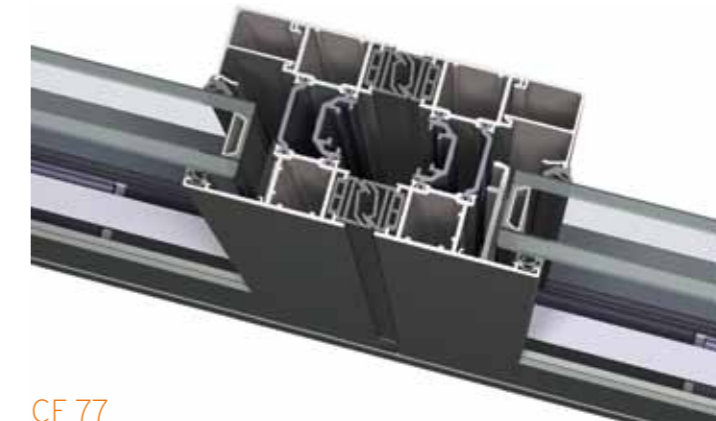


Specification options

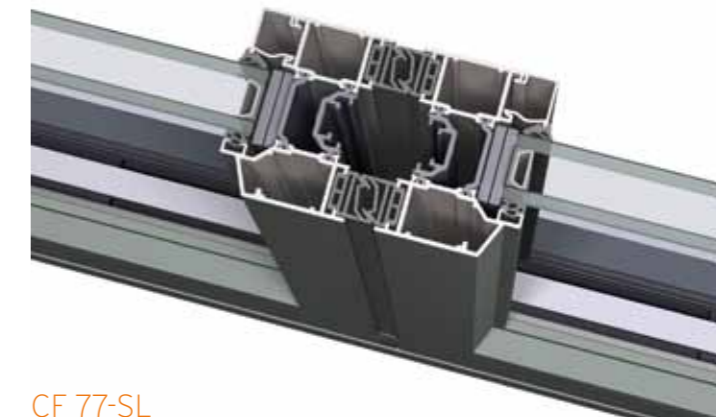
The CF77 can be specified with our standard profile or a slim-line variant, the CF77-SL, which features a narrower door leaf profile to maximise the glass area. Both are available in four different threshold solutions:

- High Performance
- Double Weather Seal
- Low Threshold
- Flat Bottom

Each threshold option gives a trade-off between weather performance and ease of passage. The High Performance option offers the best air, wind and water performance but has the highest threshold step. The Double Weather Seal solution combines good weather resistance with a lower threshold. The Low Threshold option can be set into the floor to meet the requirements of Building Regulations and the Flat Bottom solution allows easy passage with no step at all, but this is at the expense of weather-proofing.



CF 77



CF 77-SL

4 different threshold solutions offering different levels of performance:

	Flat Bottom	Low Threshold	Double Weather Seal	High Performance
Air-tightness	Not applicable	Class 2	Class 2	Up to Class 4
Wind load resistance	Not applicable	Class B2	Class B2	Up to Class B3
Security*	RC2	RC2	RC2	RC2
Water-tightness	Not applicable	Class 4A (150Pa)	Class 5A (200Pa)	Up to Class 9A (600Pa)

*The security classification is in accordance with EN 1627-1630.
Please refer to Reynaers' CE passport for all technical data including size limitations.



Reynaers at Home · Kettles Wood Drive · Birmingham · B32 3DB

T 0121 421 9707 E homeuk@reynaers.com

www.reynaersathome.co.uk

Part of the Reynaers family

