



CP 155

CP155 is a premium insulated sliding system offering the highest levels of performance.

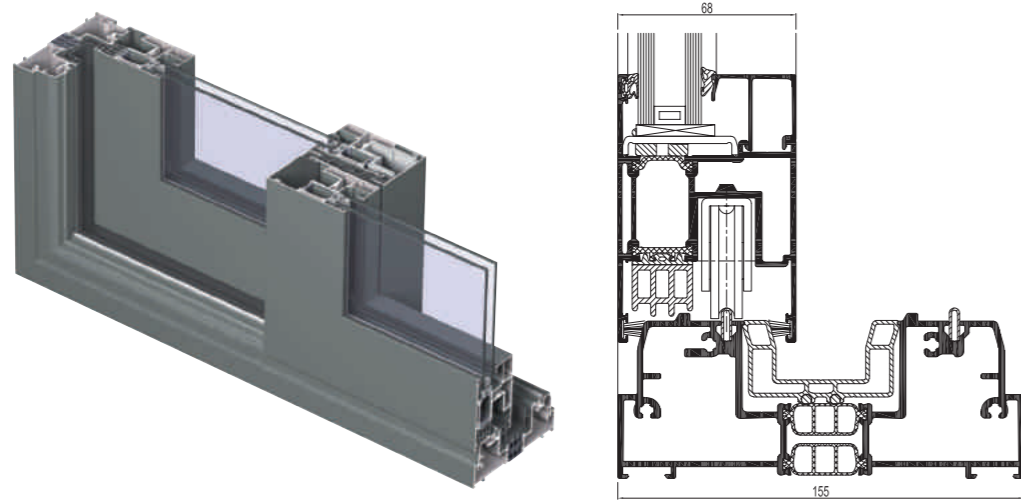
This sophisticated system fulfils the user's high expectations of optimum quality, high insulation and ease of operation. The inherent strength of this system makes it possible to offer very large dimensions - up to 3m in height and a maximum vent weight of 400kg*.

Thanks to the 'High Insulation' upgrade, the system can achieve superior insulation levels down to 1.07 W/m²K (Uf value). This results in a glazed element with insulation values lower than 1.0 W/m²K, allowing the CP155-HI system, which is certified with a Minergie label, to be used in low-energy buildings.

Furthermore, the system is available with a low threshold option that creates perfect continuity between the indoor and outdoor spaces, and improves the accessibility to the building. This accessibility and comfort can be further improved with our solutions for automatic operation.

*Motorised operation recommended for heavier doors.





Letting the outside in

A sliding door opens up a multitude of possibilities. Open this door just a few centimetres for a little fresh air, a little wider to slip out into the garden or open it all the way to really let the outside in. This versatile door creates an extra feeling of space and generates more natural light within the home.

CP155 Slide and CP155 Lift & Slide

All types of CP155 sliding door use durable, stainless steel wheels and rails for ease of operation. In the case of the lift and slide system, the sliding door is lifted slightly before opening or closing. This reduces the friction and makes the operation smooth and effortless. In the closed position, the lift and slide door is lowered onto the track, providing additional weather resistance.

Monorail, duo rail or 3-rail

A **monorail system** combines a moving part with a fixed glazed element that is anchored directly into the outer frame profile for a minimalistic look. The fixed pane is normally set to the inside of the track and is internally beaded. If the Minergie specification product is required, the fixed pane will be set to the outside of the track and will be externally beaded.

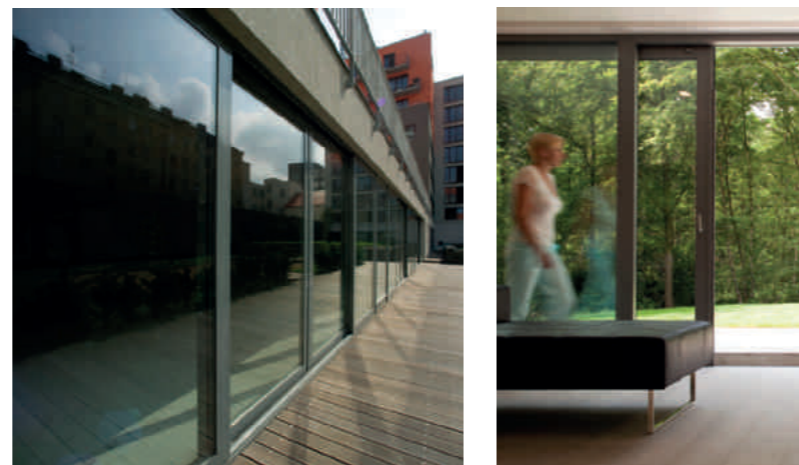
Monorail	CP 155 / CP 155-HI	CP 155-LS / CP 155-LS / HI	CP 155-LS / HI WITH MINERGIE LABEL
	X	X	X

A **duo rail system** integrates two glazed opening vents with an identical appearance, giving an aesthetically pleasing and versatile sliding door. Both vents can be made as sliding elements, giving total flexibility.

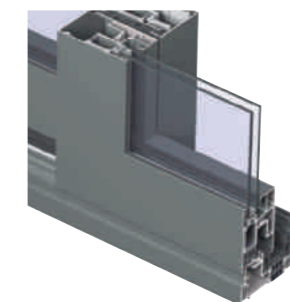
Duo rail	CP 155 / CP 155-HI	CP 155-LS / CP 155-LS / HI	CP 155-LS/HI WITH MINERGIE LABEL
	X	X	

A **3-rail system** makes it possible for a third opening vent to be installed. This solution allows the user to slide door leaves one and two behind leaf three, opening up two-thirds of the width to the garden.

3-rail	CP 155 / CP 155-HI	CP 155-LS / CP 155-LS / HI	CP 155-LS/HI WITH MINERGIE LABEL
	X	X	



Technical characteristics				
Variants		CP 155 / CP 155-HI	CP 155-LS / CP 155-LS / HI	CP 155-LS / HI WITH MINERGIE LABEL
Visible width / height	Frame	52 mm	45 mm	60 mm
	Vent	102 mm	102 mm	102 mm
	T-profile	from 76 mm to 154 mm	from 76 mm to 154 mm	from 76 mm to 154 mm
	Meeting section	115 mm	115 mm	115 mm
	Threshold	60 mm	20 mm	69 mm
Overall system depth	Meeting section 4 doors	212 mm	212 mm	n/a
	Frame	155 mm / 242 mm (3-rail)	155 mm / 242 mm (3-rail)	192 mm
	Vent	68 mm	68 mm	68 mm / 105 mm
Maximum element height		3000 mm	3000 mm	3000 mm
Maximum vent weight		300 Kg	400 Kg	400 Kg
Rebate height		25 mm	25 mm	25 mm
Glass thickness		up to 52 mm	up to 52 mm	up to 61 mm
Glazing method		dry glazing with EPDM or neutral silicones	dry glazing with EPDM or neutral silicones	dry glazing with EPDM or neutral silicones
Thermal insulation		32 mm and 23 mm fibreglass reinforced polyamide strips with 3 chambers	32 mm and 23 mm fibreglass reinforced polyamide strips with 3 chambers	41 mm and 23 mm fibreglass reinforced polyamide strips with 3 chambers
HI variant		extra insulation gaskets	extra insulation gaskets	standard available



Slim Line middle section



CP 155-LS/HI low threshold



CP 155-LS/HI with Minergie label

Performances												
Energy												
	Thermal Insulation ⁽¹⁾ EN ISO 10077-2	Uf-value up to 1.07 W/m ² (*), depending on the frame/vent combination										
Comfort												
	Acoustic performance ⁽²⁾ EN ISO 140-3; EN ISO 717-1	Rw (C; Ctr) = 35 (-2;-5) dB / 42 (-1;-3) dB, depending on glazing type										
	Air-tightness, max. test pressure ⁽³⁾ EN 12207	1 (150 Pa)	2 (300 Pa)	3 (600 Pa)	4 (600 Pa)							
	Water-tightness ⁽⁴⁾ EN 12208	1A (0 Pa)	2A (50 Pa)	3A (100 Pa)	4A (150 Pa)	5A (200 Pa)	6A (250 Pa)	7A (300 Pa)	8A (450 Pa)	9A (600 Pa)	E900 (900 Pa)	
	Wind load resistance, max. test pressure ⁽⁵⁾ EN 12211; EN 12210	1 (400 Pa)	2 (800 Pa)	3 (1200 Pa)	4 (1600 Pa)	5 (2000 Pa)						
	Wind load resistance to frontal deflection EN 12211; EN 12210	A (≤1/150)			B (≤1/200)			C (≤1/300)				
Safety												
	Burglar resistance ⁽⁶⁾ ENV 1627 - ENV 1630	WK1			WK2				WK3			

This table shows classes and values of performances which can be achieved for specific configurations and opening types.

- The Uf-value measures the heat flow. The lower the Uf-value, the better the thermal insulation of the frame.
- The sound reduction index (Rw) measures the capacity of the sound reduction performance of the frame and glass.
- The air tightness test measures the volume of air that would pass through a closed window at a certain air pressure.
- The water tightness test involves applying a uniform water spray at increasing air pressure until water penetrates the window.
- The wind load resistance is a measure of the profile's structural strength and is tested by applying increasing levels of air pressure to simulate the wind force.
- The burglar resistance is tested by static and dynamic loads, as well as by simulated attempts to break in using specified tools. This variant requires specific burglar resistance accessories.
- Please refer to Reynaers' CE passport for all technical data including size limitations.
- Value for HI-variant with Minergie label.



MINERGIE®

Minergie is a sustainability label for new and refurbished buildings with a focus on a high level of comfort in the building. To obtain this comfort level, the Minergie standards require high-grade, air-tight building envelopes and the continuous renewal of air in the building using an energy-efficient ventilation system. This Swiss Minergie standard is widely accepted and is referred to as a quality label.

Next to the building label, the Minergie label can also be awarded to building components such as window, door and sliding systems, based on specific low-energy requirements.

Different Reynaers systems are rewarded with this Minergie label: CP 155-LS/Hi, CS 77 and CS 86-HV, offering a complete solution for the building.

Reynaers at Home · Kettles Wood Drive · Birmingham · B32 3DB

T 0121 421 9707 E homeuk@reynaers.com

www.reynaersathome.co.uk

Part of the Reynaers family

